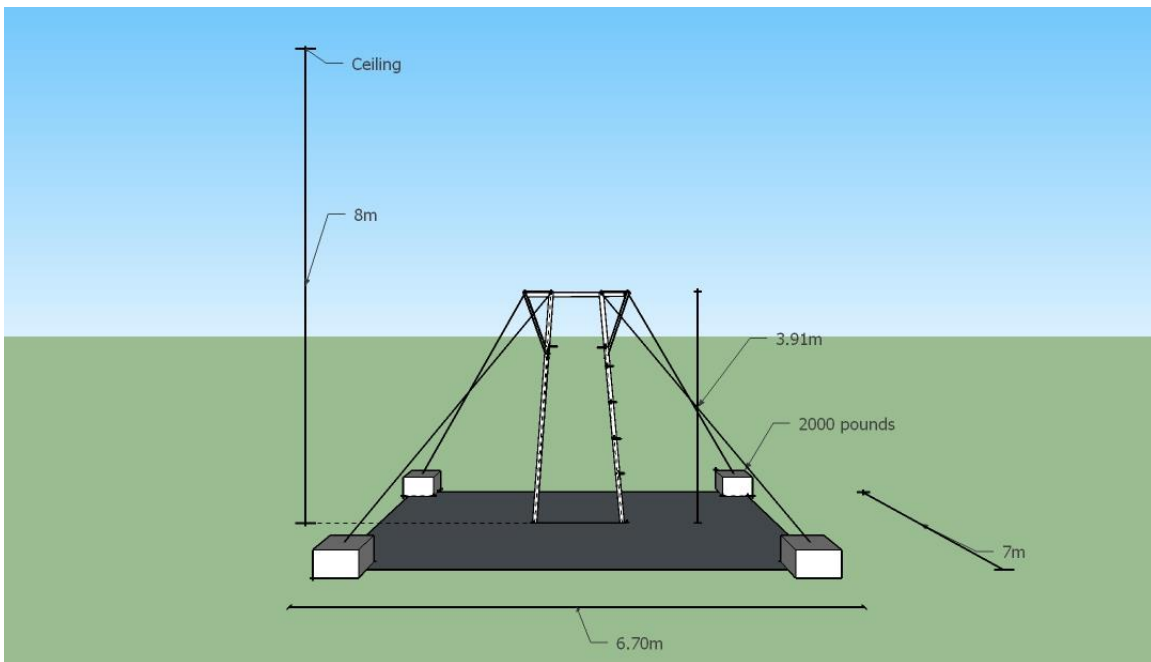
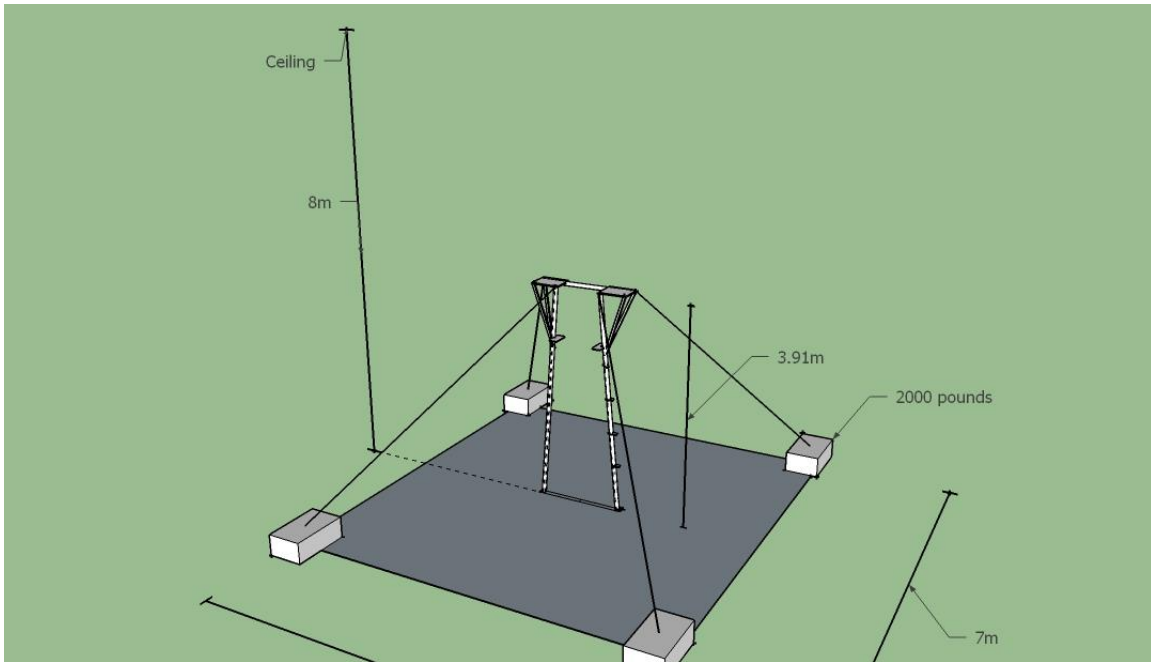
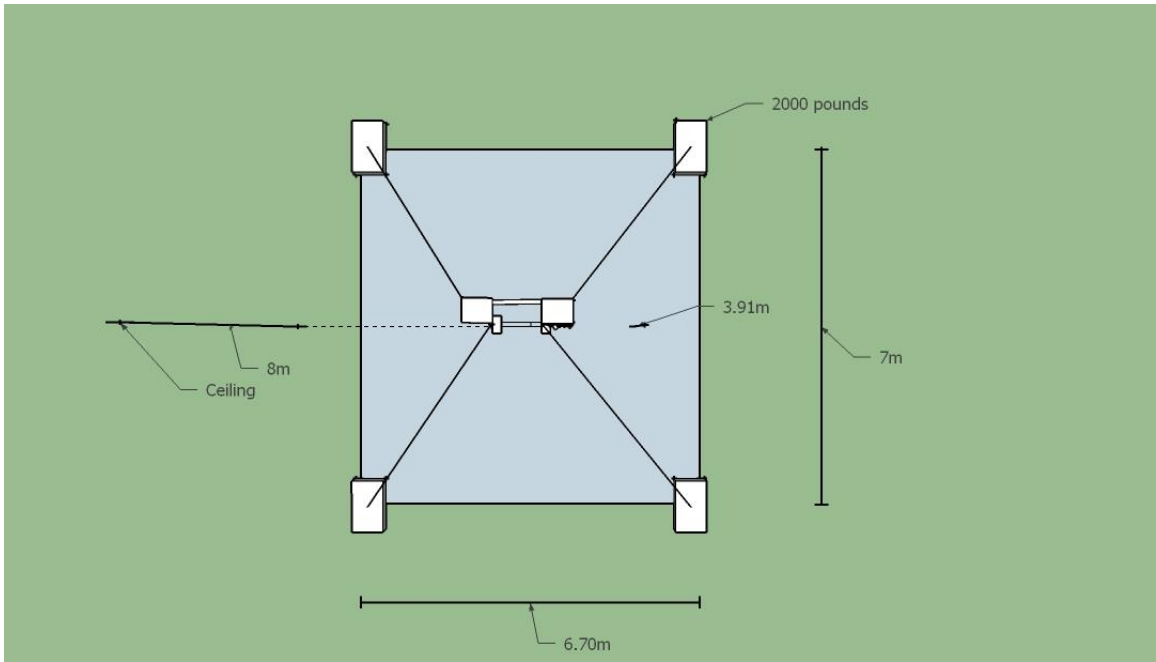


Technical requirement

Metric system





Imperial system

